



# 3260-2 ChromaView

TRI-COLOR PORTABLE CHANGEABLE MESSAGE SIGN

Large LED Full Matrix – 32 pixels x 60 pixels

CATALOG NO:  
**AMS30146050**



## FEATURES

- Full Matrix 32 Rows x 60 Columns
- Red, White, & Amber LED's
- 1-5 line messages
- Up to 15 characters per line
- 10.5" – 30" high characters
- Graphics and Animations
- 11 Font sizes
- NTCIP Compliant

## OPTIONS

- Cellular (CDMA / IxRTT , GSM / GPRS)
- Landline or Ethernet (TCP / IP) Options
- Radar Overspeed Detection
- Queue Detection
- Onboard CCTV
- AIMSTAR™ Adjustable Solar Assembly
- Radar Data Logging & Graphing
- Expanded Battery and Solar Packages

## COST EFFECTIVE

- Energy Efficient
- Environmentally Sound

## EASY TO USE

- User-friendly
- Local and / or remote sign control

## LOW MAINTENANCE

- Long Life LEDs
- SOLR Primary Power Charging

## GRAPHICS AND LEGIBILITY

- This Full Matrix Display gives you the power to deliver information via larger text and full sign sized graphics.
- Legibility distance of over 1500'
- 26 MUTCD symbol signs are available
- 11 character fonts with character heights from 10.5" – 30"
- Full height chevrons, moving arrows
- Ability to flash lines or entire message

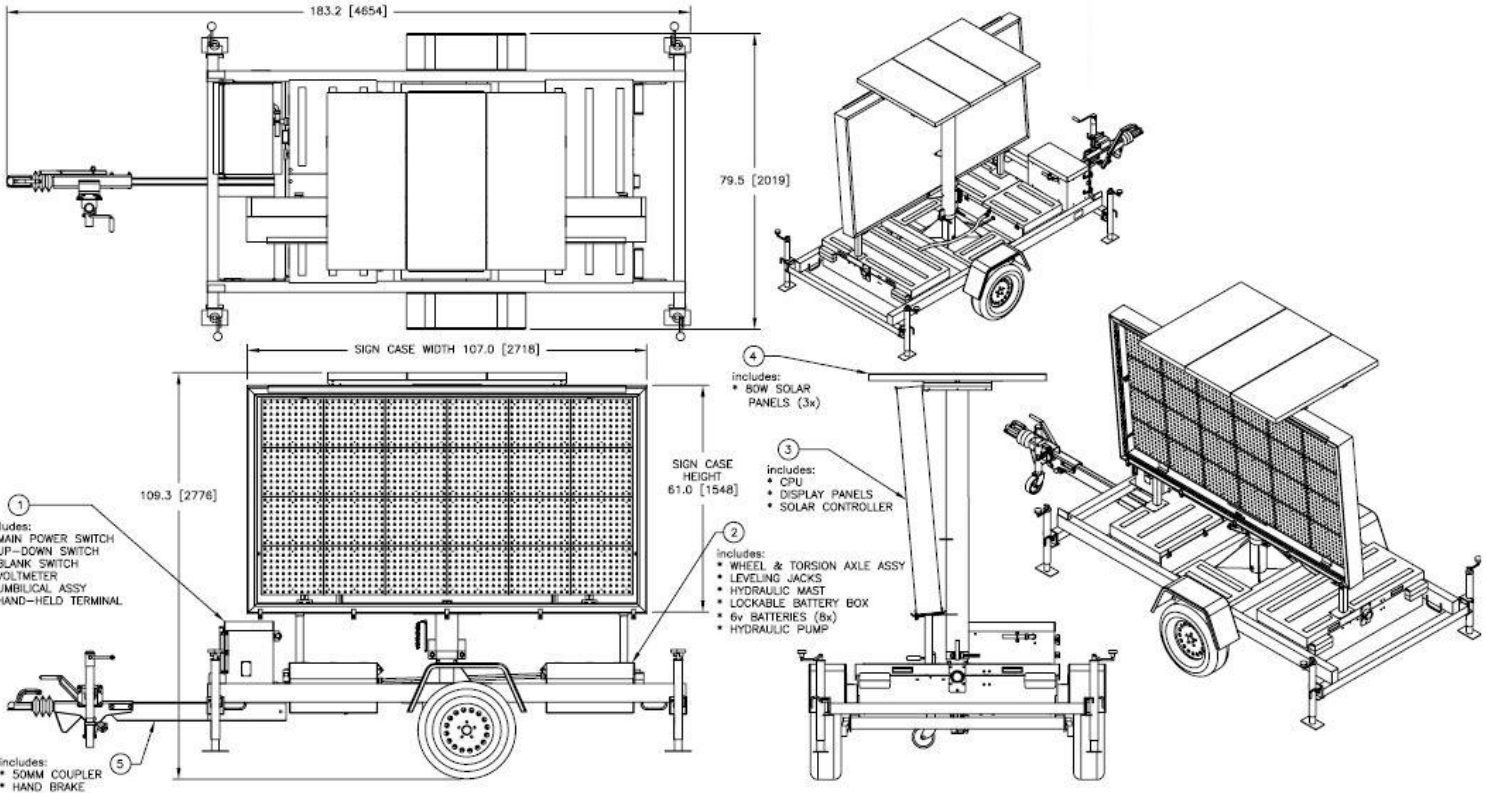
## GENERAL SPECIFICATIONS

The 3260-2 ChromaView from American Signal Company represents the latest advances in ALL-LED sign and highway safety technology. This ALL-LED, Tri-Color, Full Matrix, Graphics capable display, utilizing 30 degree ITE Amber LEDs, gives you an affordable and effective portable / changeable display message sign. With this display, users have the ability to furnish timely, pertinent, and dynamic traffic information to en-route motorists via alphanumeric text and/or graphic display.

Additionally, the 3260-2 ChromaView may be utilized in calming and speed awareness applications through the use of an optional radar interface. This option is capable of not only displaying cautionary traffic messages, but actual vehicular speeds for those exceeding the user selectable "threshold" speed, as well.



2755 Bankers Industrial Dr. Atlanta, GA 30360  
 PHONE: 770.448.6650 FAX: 770.448.8970  
[info@amsiq.com](mailto:info@amsiq.com) / [www.amsiq.com](http://www.amsiq.com)



**CONTROL / OPERATION**

Pre-programmed Messages	200
User-Defined Messages	200
Message Sequences	250
Control Panel Display	Backlit LCD

**CHARACTER FONTS**

Layout	Nominal Height	Max. Lines	Max. Characters	Legibility Distance
3x7	10.5"	4	15	600'
4x7	10.5"	4	12	650'
5x7	10.5"	4	10	700'
5x7W*	10.5"	4	7	750'
7x7	10.5"	4	8	800'
7x7W*	10.5"	4	6	850'
6x11	17"	2	7	1100'
7x20	30"	1	5	1700'
9x20	30"	1	5	1800'
3x5	8"	5	15	400'
4x5	8"	5	12	450'

**PHYSICAL / MECHANICAL**

Height (raised)	145" / 4.1m
Height (storage)	109" / 2.8m
Length (tongue)	183" / 4.6m
Length (w/o tongue)	159" / 4.0m
Width	79.5" / 2.0m
Sign Case Width	107" / 2.7m
Sign Case Height	61" / 1.5m

**ELECTRICAL / DISPLAY**

Matrix Type	Full Matrix
LEDs Per Pixel	5
Angularity	30 Degrees
Speed-Variable Timing	.10 sec increments
Matrix Size	32 Rows x 60 Columns
LED Colors	590 nm Amber / Yellow 630 nm Red 3500 nm White
Character Size	10.5" – 30"

