



CMS-T332 Line Matrix

PORTABLE CHANGEABLE MESSAGE SIGN
Line Matrix - 21 pixels x 50 pixels

CATALOG NO:
AMS30065249



GENERAL SPECIFICATIONS

The CMS-T332 from American Signal Company represents the latest advances in ALL-LED sign and highway safety technology. The CMS-T332 combines our SOLR Primary Power Supply with our high quality trailer assembly to give you the lowest cost and most effective portable/changeable message sign today.

American Signal Company's CMS-T332 is a trailer mounted, full size, three line, programmable changeable message sign utilizing LED display technology, designed with solar charging as the primary battery supply. Optionally, the CMS-T332 may be remotely operable and/or interfaced with radar for use with any motorist notifications and traffic calming applications.

FEATURES

- 1 line, 2 line, 3 line messages
- Line Matrix 21 Rows x 50 Columns
- Graphics and Animations
- 18" Characters w/ Variable Width Fonts
- Up to 12 Characters per line
- 4 Font sizes
- NTCIP Compliant

OPTIONS

- Landline or Ethernet (TCP/IP) Options
- Cellular (CDMA/1XRTT, GSM/GPRS)
- Radar Overspeed Detection
- Queue Detection
- VoiceStar™ Highway Advisory Radio
- AIMSTAR™ Adjustable Solar Assembly
- Radar Data Logging & Graphing
- ITS Ready Options: CCTV, HAR, GPS

COST EFFECTIVE

- Energy Efficient
- Environmentally Sound

EASY TO USE

- User-friendly
- Local and / or remote sign control

LOW MAINTENANCE

- Long Life LEDs
- SOLR Primary Power Supply

GRAPHICS AND LEGIBILITY

- The CMS-T332 has the memory capacity to retain 199 pre-programmed messages, 199 user-generated messages, and 250 message sequences (up to six message s/sequence).
- American Signal Company's Dynapoint Optical Technology provides enhanced visibility and legibility in both day and night, with a legibility distance over twelve hundred feet (1200').



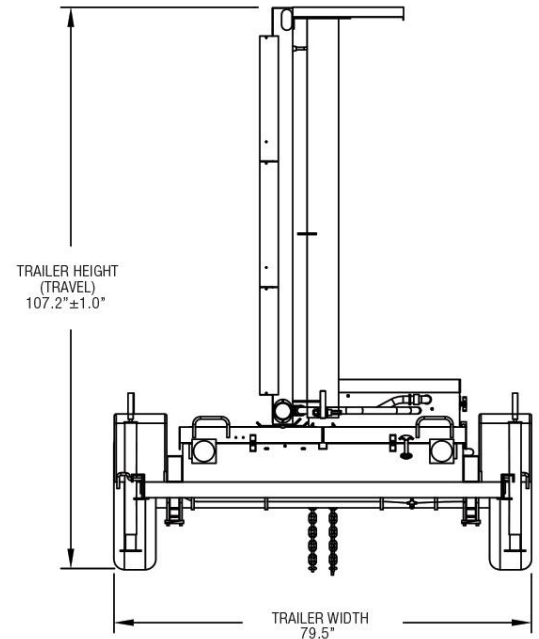
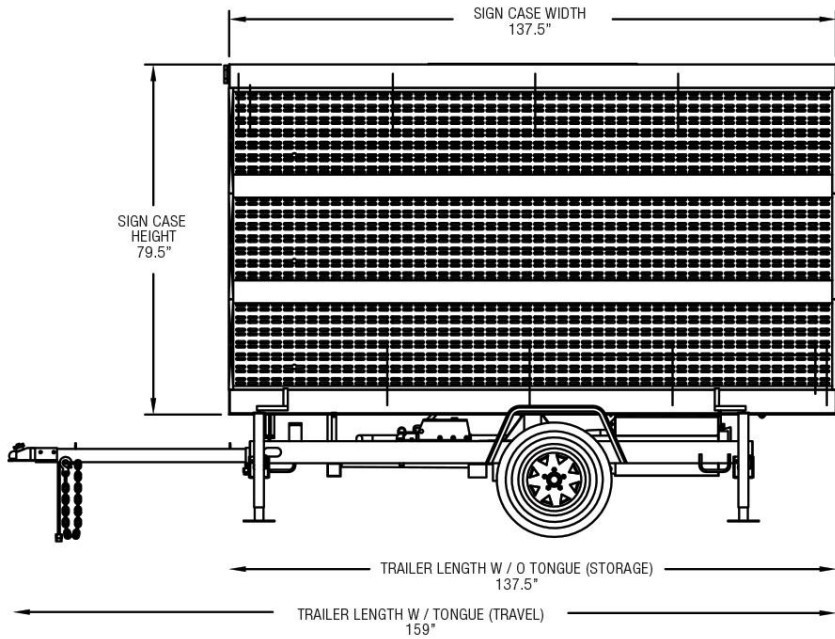
2755 Bankers Industrial Dr. Atlanta, GA 30360
VOICE: 770.448.6650 FAX: 770.448.8970
info@amsig.com / www.amsig.com

** Specifications/Technology is subject to change.
v.1.0 JUL 2015*



CMS-T332
PORTABLE CHANGEABLE MESSAGE SIGN

CATALOG NO:
AMS30065249



PHYSICAL / MECHANICAL

Height (raised)	163.5" / 4.2m
Height (storage)	107.2" / 2.73m
Length (tongue)	159" / 4.0m
Length (w/o tongue)	137.5" / 3.5m
Width	79.5" / 2.0m
Sign Case Width	137.5" / 3.5m
Sign Case Height	79.5" / 2.0m

CONTROL / OPERATION

Pre-programmed Messages	200
User-Defined Messages	200
Message Sequences	250
Control Panel Display	Backlit LCD
Graphical & Animation Messages	

ELECTRICAL / DISPLAY

Matrix Type	Line Matrix
LEDs Per Pixel	4
Angularity	30 Degrees
Speed-Variable	.10 sec increments
Timing	
Matrix Size	21 Rows x 50 Columns
LED Color	590 nm ITE Amber / Yellow
Character Size	12" to 18"

CHARACTER FONTS

Pixel Matrix	Normal Height	Characters Per Line	Lines Sign Face
3 x 7	18"	12	3
4 x 7	18"	10	3
5 x 7	18"	8	3
5 x 7	18"	6	3

SOLR™ PRIMARY POWER OPTION

Battery Life	30 Day standard Configuration
Land Power	On-board charger