



# 3260-1 ChromaView

TRI-COLOR PORTABLE CHANGEABLE MESSAGE SIGN

Small LED Full Matrix – 32 pixels x 60 pixels

CATALOG NO:  
**AMS30146000**



## GENERAL SPECIFICATIONS

The 3260-1 ChromaView from American Signal Company represents the latest advances in ALL-LED sign and highway safety technology. This ALL-LED, Tri-Color, Full Matrix, Graphics capable display, utilizing 30 degree ITE Amber LEDs, gives you an affordable and effective portable / changeable display message sign. With this display, users have the ability to furnish timely, pertinent, and dynamic traffic information to en-route motorists via alphanumeric text and/or graphic display.

Additionally, the 3260-1 ChromaView may be utilized in calming and speed awareness applications through the use of an optional radar interface. This option is capable of not only displaying cautionary traffic messages, but actual vehicular speeds for those exceeding the user selectable "threshold" speed, as well.

## FEATURES

- Full Matrix 32 Rows x 60 Columns
- Red, White, & Amber LED's
- 1-5 line messages
- Up to 15 characters per line
- 6" – 25" high characters
- Graphics and Animations
- 11 Font sizes
- NTCIP Compliant

## OPTIONS

- Cellular (CDMA / IXRTT , GSM / GPRS)
- Landline or Ethernet (TCP / IP) Options
- Radar Overspeed Detection
- Queue Detection
- Onboard CCTV
- AIMSTAR™ Adjustable Solar Assembly
- Radar Data Logging & Graphing
- Expanded Battery and Solar Packages
- Vehicle Mount

## COST EFFECTIVE

- Energy Efficient
- Environmentally Sound

## EASY TO USE

- User-friendly
- Local and / or remote sign control

## LOW MAINTENANCE

- Long Life LEDs
- SOLR Primary Power Charging

## GRAPHICS AND LEGIBILITY

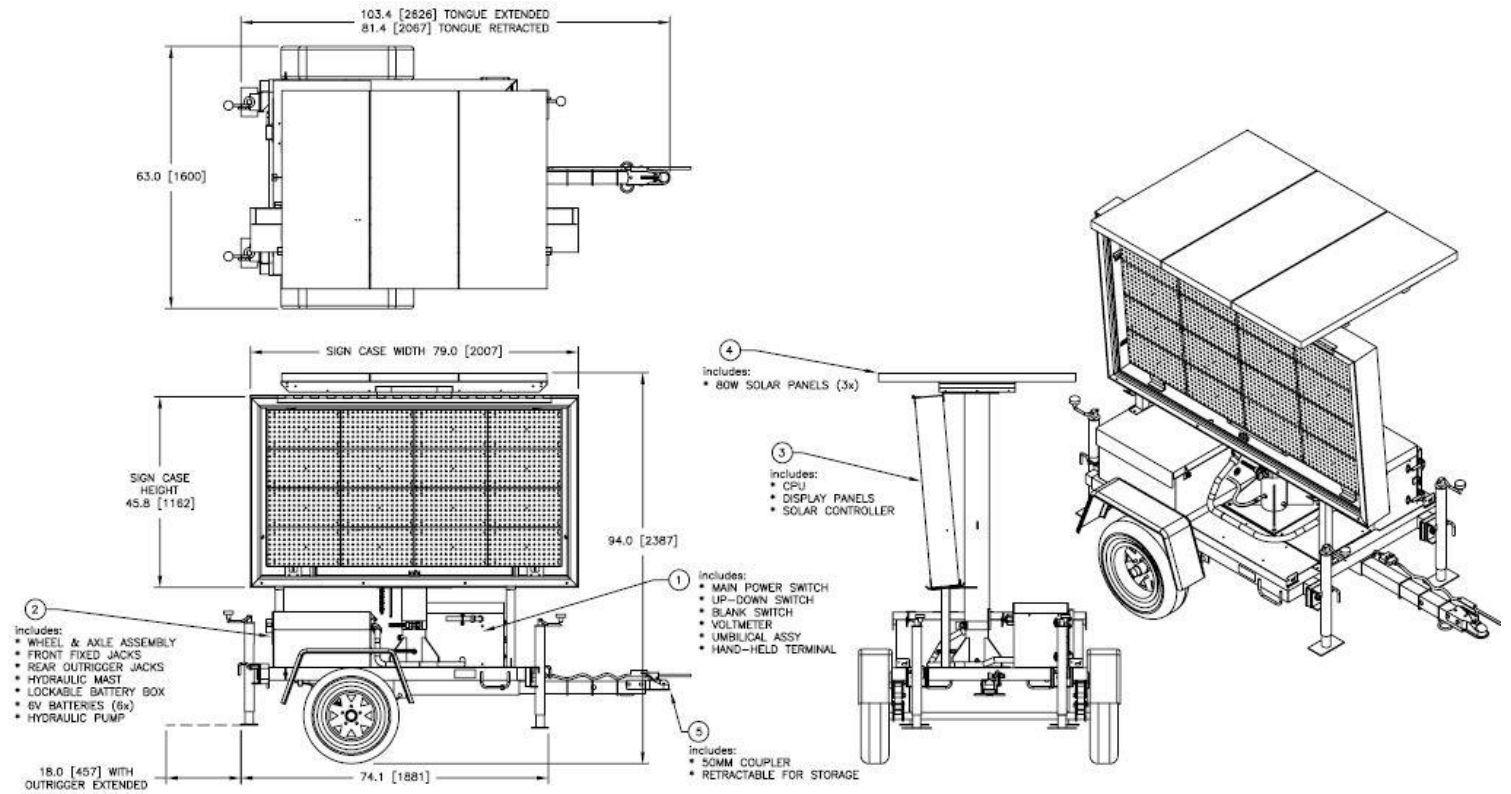
- This Full Matrix Display gives you the power to deliver information via larger text and full sign sized graphics.
- Legibility distance of approximately 800'
- 26 MUTCD symbol signs are available
- 11 character fonts with character heights from 6"-25"
- Full height chevrons, moving arrows



2755 Bankers Industrial Dr. Atlanta, GA 30360

PHONE: 770.448.6650 FAX: 770.448.8970

[info@amsiq.com](mailto:info@amsiq.com) / [www.amsiq.com](http://www.amsiq.com)



### CONTROL / OPERATION

Pre-programmed Messages	200
User-Defined Messages	200
Message Sequences	250
Graphics & Symbols	150
Control Panel Display	Backlit LCD

### CHARACTER FONTS

Font	Nominal Height	Max. Lines	Max. Characters	Legibility Distance
3x7	9"	4	15	450'
4x7	9"	4	12	500'
5x7	9"	4	10	550'
5x7W*	9"	4	7	600'
7x7	9"	4	8	650'
7x7W*	9"	4	6	700'
6x11	14"	2	7	900'
7x20	25"	1	5	1400'
9x20	25"	1	5	1500'
3x5	6"	5	15	300'
4x5	6"	5	12	350'

### PHYSICAL / MECHANICAL

Height (raised)	130" / 3.3m
Height (storage)	94" / 2.4m
Length (tongue)	103" / 2.6m
Length (w/o tongue)	79" / 2.0m
Width	63" / 2.0m
Sign Case Width	79" / 1.6m
Sign Case Height	46" / 1.2m

### ELECTRICAL / DISPLAY

Matrix Type	Full Matrix
LEDs Per Pixel	3
Angularity	30 Degrees
Speed-Variable Timing	.10 sec increments
Matrix Size	32 Rows x 60 Columns
LED Colors	590 nm Amber / Yellow 630 nm Red 3500 nm White
Character Size	9" – 25"



2755 Bankers Industrial Dr. Atlanta, GA 30360

PHONE: 770.448.6650 FAX: 770.448.8970

[info@amsiq.com](mailto:info@amsiq.com) / [www.amsiq.com](http://www.amsiq.com)