



CMS-T333 Full Matrix

PORTABLE CHANGEABLE MESSAGE SIGN
Full Matrix 28 pixels x 50 pixels

CATALOG NO:
AMS30055269



FEATURES

- Full Matrix 28 Rows x 50 Columns
- 1 line, 2 line, 3 line, 4 line messages
- Graphics and Animations
- 13" to 53" Characters
- Up to 12 Characters per line
- 11 Font sizes
- Minimum 30 day battery run time
- NTCIP Compliant

OPTIONS

- Cellular (CDMA / IXRTT, GSM / GPRS)
- WiFi
- Landline or Ethernet (TCP / IP) Options
- GPS
- Radar Overspeed Detection
- Queue Detection
- VoiceStar™ Highway Advisory Radio
- AIMSTAR™ Adjustable Solar Assembly
- Graphic User Interface Software
- CCTV
- Vehicle Data Logging Capability
- Expanded solar / battery bank

GENERAL SPECIFICATIONS

The CMS-T333 from American Signal Company represents the latest advances in ALL-LED sign and highway safety technology. This ALL-LED, Full Matrix, Graphics capable display, utilizing 30 degree ITE Amber LEDs, combines American Signal Company's SOLR™ Primary Power System with our high quality trailer to give you the lowest cost and most effective portable/changeable message sign available today.

With the CMS-T333, users have the ability to furnish timely and pertinent traffic information to motorists via text and/or graphic display providing traffic control, incident management, and congestion mitigation that is unmatched by any other information system. American Signal Company's innovative Dynapoint™ Optical Technology, in combination with ultra-bright, wide-angle 30 degree amber LEDs provide enhanced visibility and legibility in both daylight and nighttime conditions.

MESSAGING AND LEGIBILITY

- This Full Matrix Display gives you the power to deliver information via larger text and full sign sized graphics.
- Legibility distance over twelve hundred feet (1200').
- Over 200 factory pre-programmed MUTCD compliant messages.
- 11 character fonts with character heights from 13" to 53".
- Our LED design provides outstanding legibility in all weather conditions, with wide angle visibility.



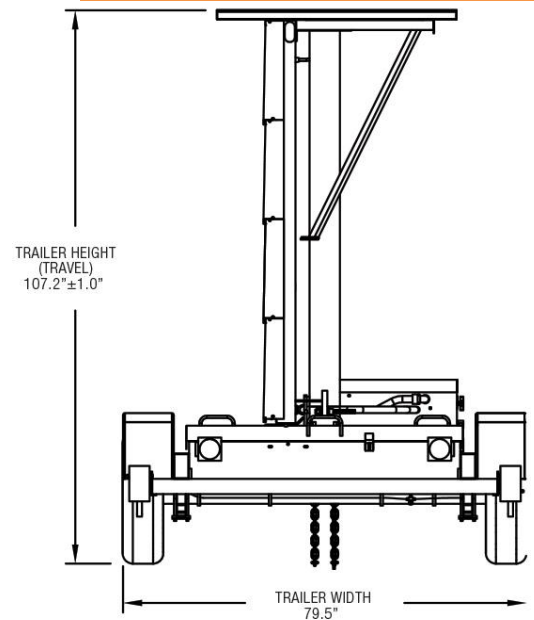
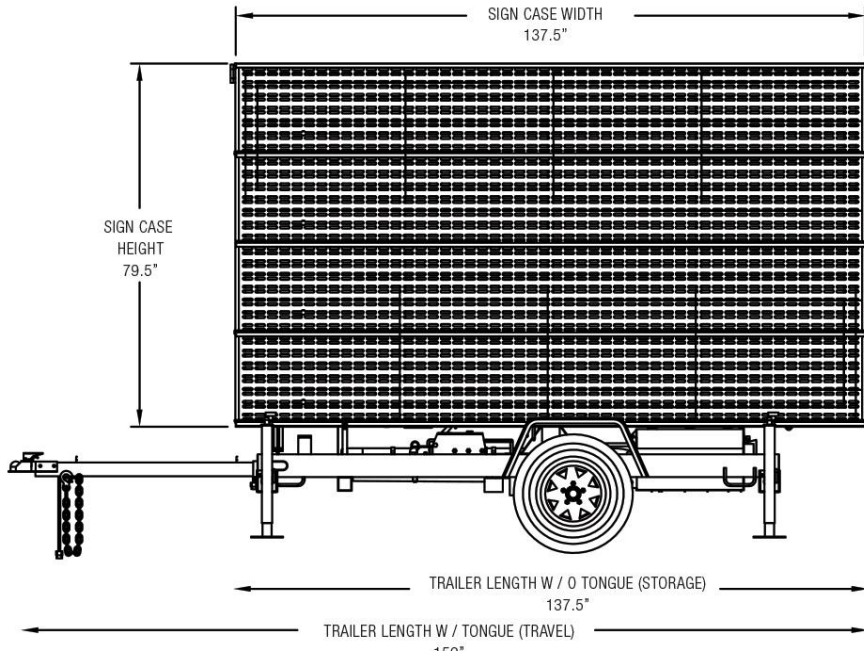
2755 Bankers Industrial Dr. Atlanta, GA 30360
VOICE: 770.448.6650 FAX: 770.448.8970
info@amsig.com / www.amsig.com

** Specifications/Technology is subject to change.
v.1.0 JUL 2015*

CMS-T333 Full Matrix

PORTABLE CHANGEABLE MESSAGE SIGN

CATALOG NO:
AMS30055269



PHYSICAL / MECHANICAL

| | |
|---------------------|----------------|
| Height (raised) | 163.5" / 4.1m |
| Height (storage) | 107.5" / 2.7m |
| Length (tongue) | 159" / 4.0m |
| Length (w/o tongue) | 137.5" / 3.5m |
| Width | 79.5" / 2.0m |
| Sign Case Width | 137.5" / 3.49m |
| Sign Case Height | 79.5" / 2.0m |

SOLR™ PRIMARY POWER OPTION

| | |
|--------------|---|
| Battery Life | 30 Day standard, expanded battery bank optional |
| Land Power | On-board charger |

CONTROL / OPERATION

| | |
|---------------------------------|-------------|
| Permanent (factory) Messages | 230 |
| User-Defined Messages | 200 |
| Message Sequences | 250 |
| Control Panel Display | Backlit LCD |
| Graphical Messages & Animations | 150 |

ELECTRICAL / DISPLAY

| | |
|----------------|---------------------------|
| Matrix Type | Full Matrix |
| LEDs Per Pixel | 4 |
| Angularity | 30 Degrees |
| Speed-Variable | .10 sec increments |
| Timing | |
| Matrix Size | 28 Rows x 50 Columns |
| LED Color | 590 nm ITE Amber / Yellow |
| Character Size | 13" to 53" |

CHARACTER FONTS

| Pixel Matrix | Normal Height | Characters Per Line | Lines Sign Face |
|--------------|---------------|---------------------|-----------------|
| 3 x 5 | 13" | 12 | 4 |
| 4 x 5 | 13" | 10 | 4 |
| 3 x 7 | 18" | 12 | 3 |
| 4 x 7 | 18" | 10 | 3 |
| 5 x 7 | 18" | 8 | 3 |
| 5 x 7w | 18" | 7 | 3 |
| 7 x 7 | 18" | 6 | 3 |
| 7 x 7w | 18" | 5 | 3 |
| 6 x 11 | 28" | 7 | 2 |
| 7 x 20 | 53" | 6 | 1 |