



# CMS-GP232T ADVANTAGE

PORTABLE CHANGEABLE MESSAGE SIGN

LED Full Matrix - 28 pixels x 72 pixels

CATALOG NO:  
**AMS30062815**



## GENERAL SPECIFICATIONS

The CMS-GP232T Advantage from American Signal Company represents the latest advances in ALL-LED sign and highway safety technology. This ALL-LED, Full Matrix, Graphics capable display, utilizing 30 degree ITE amber LEDs, gives you the lowest cost and most effective portable changeable display message sign available today.

With the CMS-GP232T Advantage users have the ability to furnish timely, pertinent, and dynamic traffic information to motorists via alphanumeric text and / or graphic display. This display offers the user a measure of traffic control, incident management, and congestion mitigation that is unmatched by other informational systems.

## FEATURES

- Full Matrix 28 Rows x 72 Columns
- 1, 2, 3 or 4-line messages
- Graphics and Animations
- 5" to 19" Characters
- Up to 18 Characters per line
- 11 Font sizes
- NTCIP Compliant

## OPTIONS

- Cellular (CDMA / IXRTT , GSM / GPRS)
- Landline or Ethernet (TCP / IP) Options
- Radar Overspeed Detection
- Queue Detection
- VoiceStar™ Highway Advisory Radio
- AIMSTAR™ Adjustable Solar Assembly
- Radar Data Logging & Graphing
- ITS Ready Options: CCTV, HAR
- Vehicle mount (yoke or skid)

## COST EFFECTIVE

- Energy Efficient
- Environmentally Sound

## EASY TO USE

- User-friendly
- Local and / or remote sign control

## LOW MAINTENANCE

- Long Life LEDs
- SOLR Primary Power Supply

## GRAPHICS AND LEGIBILITY

- This Full Matrix Display gives you the power to deliver information via larger text and full sign sized graphics.
- Legibility distance over one thousand feet (1000').
- 26 MUTCD symbol signs are available
- 11 character fonts with character heights from 5" to 19".
- Full height chevrons, moving arrows
- Ability to flash lines or entire message



2755 Bankers Industrial Dr. Atlanta, GA 30360  
VOICE: 770.448.6650 FAX: 770.448.8970  
[info@amsig.com](mailto:info@amsig.com) / [www.amsig.com](http://www.amsig.com)

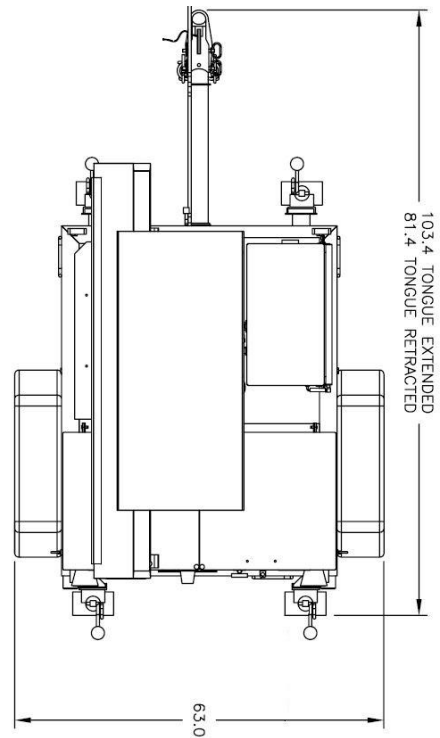
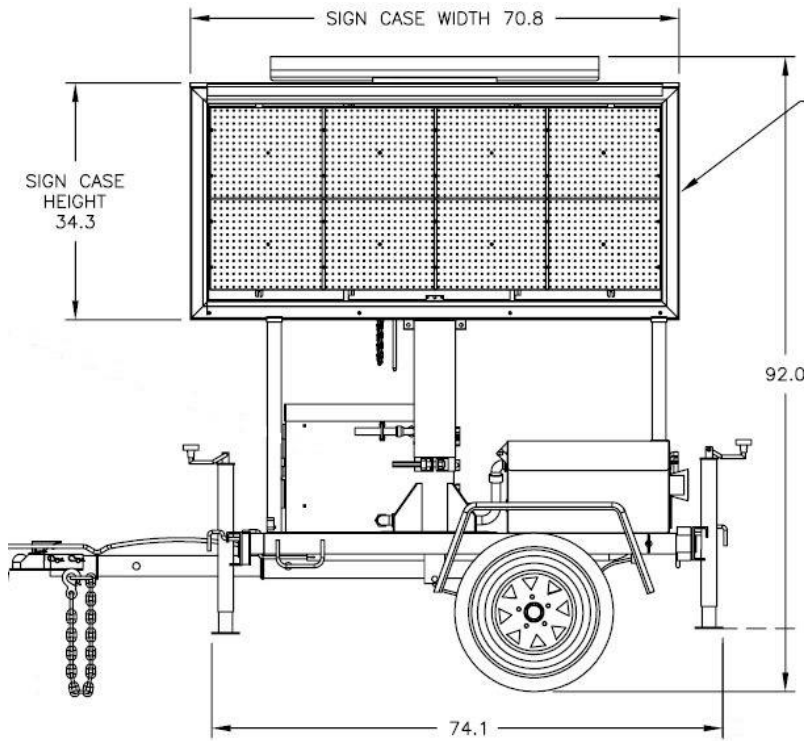
*\* Specifications/Technology is subject to change.  
v.1.0 JUL 2015*



## CMS-GP232T ADVANTAGE

PORTABLE CHANGEABLE MESSAGE LED Full Matrix – 28 pixels x 72 pixels

CATALOG NO:  
**AMS30062815**



### PHYSICAL / MECHANICAL

Height (raised)	135.7" / 3.4m
Height (storage)	92" / 2.3m
Length (tongue)	103" / 2.6m
Length (w/o tongue)	81" / 2.0m
Width	63" / 1.6m
Sign Case Width	70.8" / 1.8m
Sign Case Height	33.9" / 0.9m

### CONTROL / OPERATION

Permanent (factory) Messages	230
User-Defined Messages	200
Message Sequences	200
Graphic/Animation Messages	150

### ELECTRICAL / DISPLAY

Matrix Type	Full Matrix
Matrix Size	28 Rows x 72 Columns
LEDs Per Pixel	1
Angularity	30 Degrees
Speed-Variable	.10 sec increments
Timing	
LED Color	590 nm ITE Amber / Yellow
Character Size	5" to 19"

### CHARACTER FONTS

Pixel Matrix	Normal Height	Characters Per Line	Lines Sign Face
3 x 5	5"	18	4
4 x 5	5"	14	4
3 x 7	7"	18	3
4 x 7	7"	14	3
5 x 7	7"	12	3
5 x 7W	7"	10	3
7 x 7	7"	9	3
7 x 7W	7"	8	3
6 x 11	10.5"	10	2
7 x 20	19"	9	1
9 x 20	19"	7	1

