



T25 Accessory Trailer

Mobile Power Plant for Radar, Sensors, CCTV, and Other Portable Applications

CATALOG NO:
AMS30062701



MICROWAVE RADAR for ITS applications such as Queue Detection Systems, Smart Work Zones, Real Time Travel Management, and Integrated Traffic Management Systems. Complete integration with Amsig's PCMS and ITS Cloud Manager Software. iCone, Wavetronix SmartSensors, Image Sensing Systems RTMS, Acyclica Road Trend WiFi sniffers, TrafficCast BlueTOAD Bluetooth sniffers, and more!

CCTV Video and Imaging for work zone surveillance and mobile security. Ensure work zone compliance and protect yourself from liability concerns. Protect your people, property, and facilities. 3M, Aventura, Bosch, Cohu, WTI, and more!

FEATURES of the T25 solution for any application include:

- Battery Power – up 8x6VDC
- Solar Recharging – up to 2x123W
- 360° Mast Rotation
- Easily Deployable
- High Quality Steel and Aluminum Trailer
- Environmentally Sound

The T25 Accessory Trailer from American Signal Company is capable of housing equipment for any number of applications. Outfit the T25 with a Doppler radar sensor that monitors traffic and relays data to an ITMS work zone system. Monitor multiple lanes of traffic for volume, occupancy and speed. When used with ITS Cloud Manager and Amsig's PCMS the sensors will allow for messaging changes to occur. In addition, this unit may be used as an individual traffic monitor to record data for analytical use.

Put a camera or video camera on the T25 to provide security in environments needing a highly portable platform. Utilize onboard storage while also streaming your feeds. Protect yourself from liability by ensuring your work zone's compliance. Protect your people and equipment on the job.

There are an almost unlimited number of other applications the T25 can help you achieve!

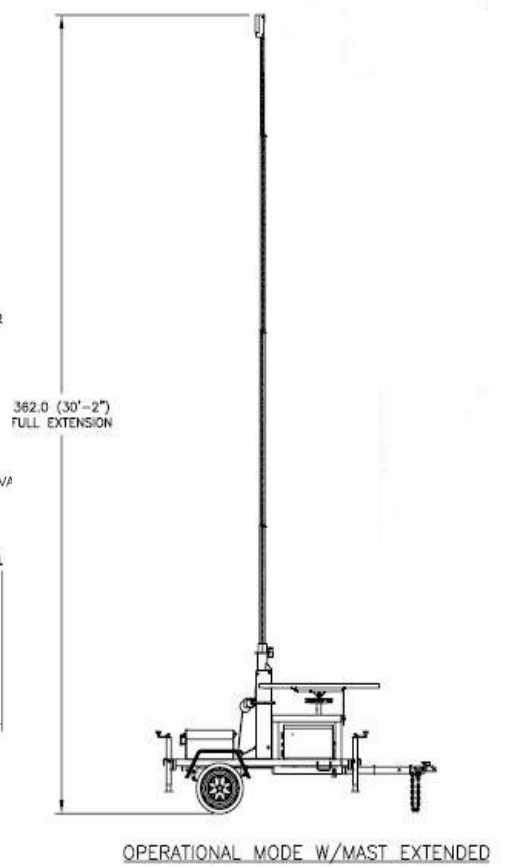
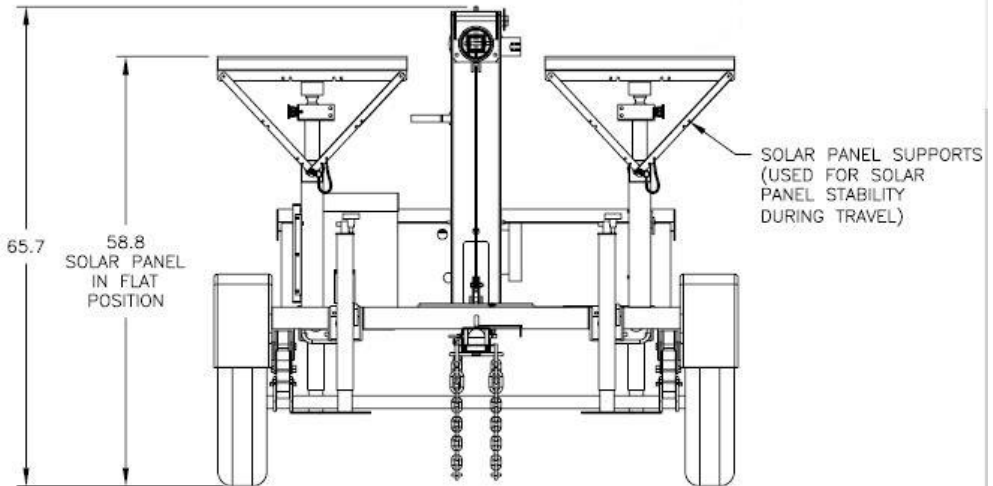
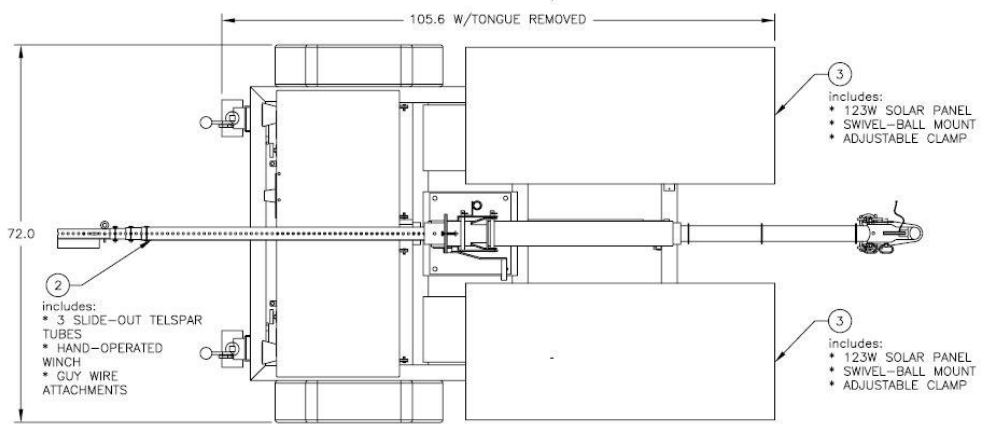
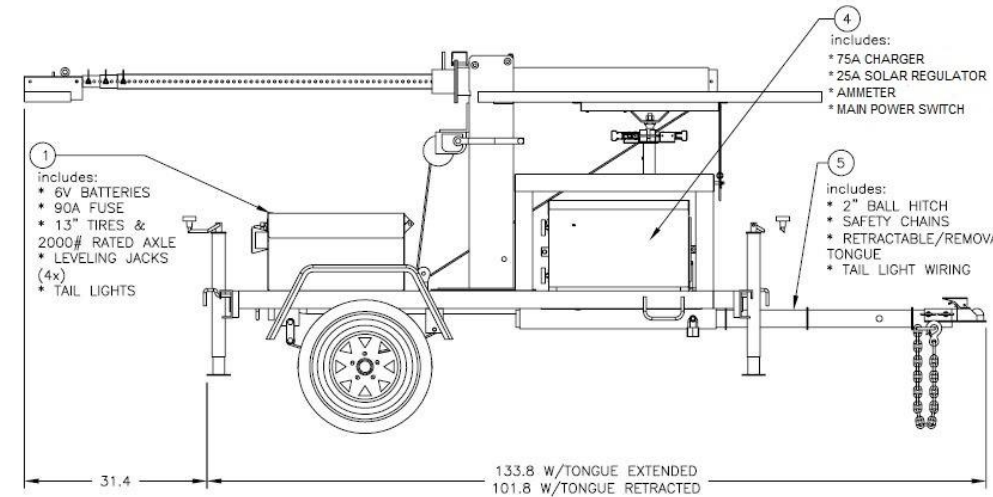
GSA GS-07F-0339L



2755 Bankers Industrial Dr. Atlanta, GA 30360
PHONE: 770.448.6650 FAX: 770.448.8970
info@amsig.com / www.amsig.com



PHYSICAL / MECHANICAL	
Height (mast raised)	Up to 30' / 9.19m
Height (storage)	80" / 2.03m
Length (w/ tongue)	138" / 3.5m
Length (w/o tongue)	107" / 2.7m
Width	72" / 1.8m



American Signal Company's state-of-the-art manufacturing facility in Atlanta, GA can accommodate custom builds from the most finely-detailed construction to the most robust platform available. The T25 Accessory Trailer will round out your work zone or security needs. Let us learn how we can tailor-make your ideal portable solution! Call us at 770.448.6650 or visit us online at www.amsig.com

GSA GS-07F-0339L



2755 Bankers Industrial Dr. Atlanta, GA 30360
 PHONE: 770.448.6650 FAX: 770.448.8970
info@amsig.com / www.amsig.com