



CMS-GP432T ADVANTAGE

PORTABLE CHANGEABLE
MESSAGE SIGN

CATALOG NO:
AMS30064701



FEATURES

- Full Matrix 28 Rows x 50 Columns
- 1, 2, or 3 line messages
- Graphics and Animations
- 9" to 28" Characters
- Up to 12 characters per line
- 9 font sizes
- NTCIP Compliant

OPTIONS

- Vehicle Mount (Yoke or Skid)
- Cellular (CDMA/1XRTT, GSM/GPRS)
- WiFi
- Land line or Ethernet (TCP/IP) Options
- GPS
- Radar Overspeed Detection
- Queue Detection
- VoiceStar™ Highway Advisory Radio
- AIMSTAR™ Adjustable Solar Assembly
- Radar Data Logging Capability
- CCTV

MESSAGING AND LEGIBILITY

- The Full Matrix Display gives you the power to deliver information via larger text and full sign sized graphics.
- Legibility distance of one thousand feet (1000')
- 26 MUTCD symbol signs are available
- 9 character fonts with character heights
- from 9" to 28"
- Full height chevrons, moving arrows
- Ability to flash lines or entire message



GENERAL SPECIFICATIONS

The CMS-GP432T Advantage from American Signal Company represents the latest advances in ALL-LED sign and highway safety technology. This ALL-LED, Full Matrix, Graphics capable display, utilizing 30 degree ITE Amber LEDs, gives you the lowest cost and most effective portable / changeable display message sign available today. This display is capable of both static and dynamic graphics, full display sized messages on one to three lines and a choice of nine font sizes.

Additionally, the GP432T Advantage maybe utilized in calming and speed awareness applications through the use of an optional radar interface. This option is capable of not only displaying cautionary traffic messages, but actual vehicular speeds for those exceeding the user selectable "threshold" speed, as well.



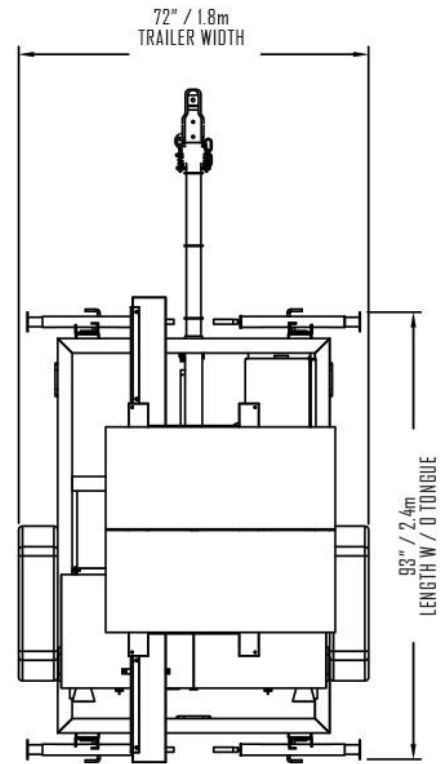
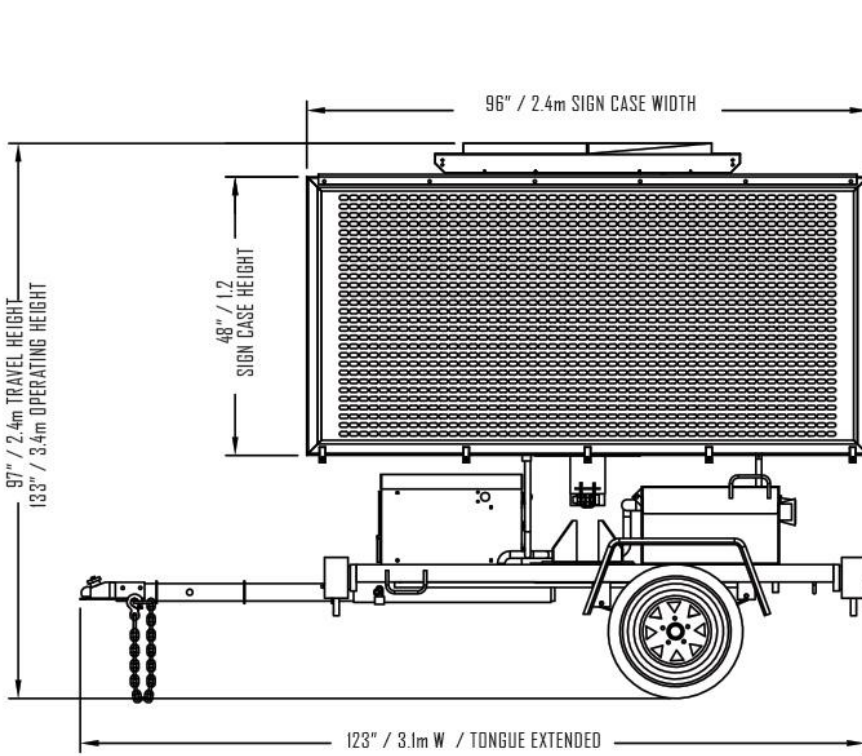
2755 Bankers Industrial Dr. Atlanta, GA 30360
VOICE: 770.448.6650 FAX: 770.448.8970
info@amsig.com / www.amsig.com

** Specifications/Technology is subject to change.
v.1.0 JUL 2015*



CMS-GP432T ADVANTAGE
PORTABLE CHANGEABLE MESSAGE SIGN

CATALOG NO:
AMS30064701



PHYSICAL / MECHANICAL

Height (raised)	133" / 3.4m
Height (storage)	97" / 2.4m
Length (tongue)	123" / 3.1m
Length (w/o tongue)	93" / 2.4m
Width	72" / 1.8m
Sign Case Width	96" / 2.4cm
Sign Case Height	48" / 1.2cm

CONTROL / OPERATION

Permanent (factory) Messages	230
User-Defined Messages	200
Message Sequences	250
Graphical/Animation Messages	150

ELECTRICAL / DISPLAY

Matrix Type	Full Matrix
LEDs Per Pixel	2
Angularity	30 Degrees
Speed-Variable	.10 sec. increments
Timing	
Matrix Size	28 Rows x 50 Columns
LED Color	590 nm ITE Amber / Yellow
Character Size	9" to 28"

CHARACTER FONTS

Pixel Matrix	Normal Height	Characters Per Line	Lines Sign Face
3 x 7	9"	11/12	3
4 x 7	9"	10	3
5 x 7	9"	8	3
5 x 7w	9"	7	3
7 x 7	9"	6	3
7 x 7w	9"	5	3
6 x 11	15"	7	2
7 x 20	28"	6	1



* Specifications/Technology is subject to change. v.1.0 JUL 2015