



CMS-GP232T ADVANTAGE

PORTABLE CHANGEABLE MESSAGE SIGN

LED Full Matrix - 28 pixels x 72 pixels

CATALOG NO:
AMS30062815



FEATURES

- Full Matrix 28 Rows x 72 Columns
- 1 line, 2 line, 3 line messages
- Graphics and Animations
- 6" to 18" Characters
- Up to 10 Characters per line
- 6 Font sizes
- NTCIP Compliant

OPTIONS

- Cellular (CDMA / IXRTT , GSM / GPRS)
- Landline or Ethernet (TCP / IP) Options
- Radar Overspeed Detection
- Queue Detection
- VoiceStar™ Highway Advisory Radio
- AIMSTAR™ Adjustable Solar Assembly
- Radar Data Logging & Graphing
- ITS Ready Options: CCTV, HAR
- Vehicle mount (yoke or skid)

COST EFFECTIVE

- Energy Efficient
- Environmentally Sound

EASY TO USE

- User-friendly
- Local and / or remote sign control

LOW MAINTENANCE

- Long Life LEDs
- SOLR Primary Power Supply

GRAPHICS AND LEGIBILITY

- This Full Matrix Display gives you the power to deliver information via larger text and full sign sized graphics.
- Legibility distance of one thousand feet (1000').
- 26 MUTCD symbol signs are available
- 6 character fonts with character heights from 6" to 18".
- Full height chevrons, moving arrows
- Ability to flash lines or entire message

GENERAL SPECIFICATIONS

The CMS-GP232T Advantage from American Signal Company represents the latest advances in ALL-LED sign and highway safety technology. This ALL-LED, Full Matrix, Graphics capable display, utilizing 30 degree ITE amber LEDs, gives you the lowest cost and most effective portable changeable display message sign available today.

With the CMS-GP232T Advantage users have the ability to furnish timely, pertinent, and dynamic traffic information to motorists via alphanumeric text and / or graphic display. This display offers the user a measure of traffic control, incident management, and congestion mitigation that is unmatched by other informational systems.



2755 Bankers Industrial Dr. Atlanta, GA 30360
VOICE: 770.448.6650 FAX: 770.448.8970
info@amsig.com / www.amsig.com

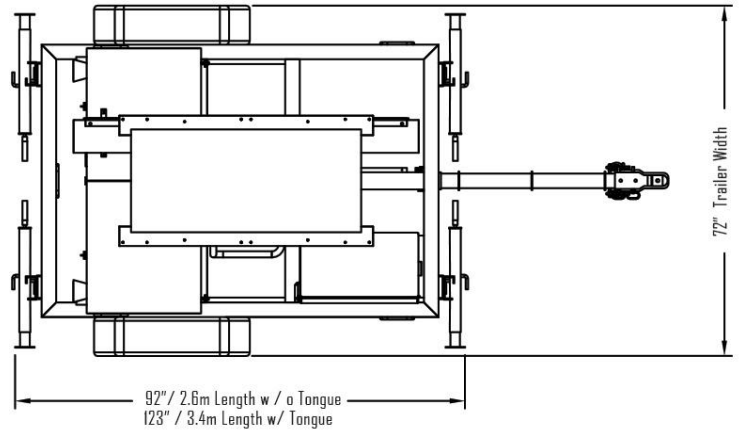
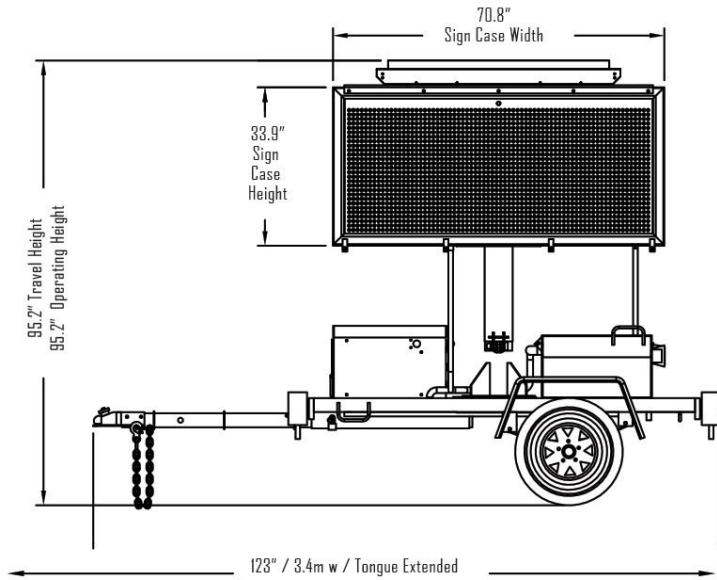
** Specifications/Technology is subject to change.
v.1.0 JUL 2015*



CMS-GP465T ADVANTAGE

PORTABLE CHANGEABLE MESSAGE LED Full Matrix – 24 pixels x 48 pixels

CATALOG NO:
AMS30062801



PHYSICAL / MECHANICAL

| | |
|---------------------|---------------|
| Height (raised) | 135.7" / 3.4m |
| Height (storage) | 95.2" / 2.4m |
| Length (tongue) | 123" / 3.4m |
| Length (w/o tongue) | 92" / 2.6m |
| Width | 72" / 1.8m |
| Sign Case Width | 70.8" / 1.8m |
| Sign Case Height | 33.9" / 0.9m |

CONTROL / OPERATION

| | |
|------------------------------|-----|
| Permanent (factory) Messages | 230 |
| User-Defined Messages | 200 |
| Message Sequences | 200 |
| Graphic/Animation Messages | 150 |

ELECTRICAL / DISPLAY

| | |
|----------------|---------------------------|
| Matrix Type | Full Matrix |
| Matrix Size | 28 Rows x 72 Columns |
| LEDs Per Pixel | 1 |
| Angularity | 30 Degrees |
| Speed-Variable | .10 sec increments |
| Timing | |
| LED Color | 590 nm ITE Amber / Yellow |
| Character Size | 6" to 18" |

CHARACTER FONTS

| Pixel Matrix | Normal Height | Characters Per Line | Lines Sign Face |
|--------------|---------------|---------------------|-----------------|
| 5 x 7 | 6" | 10 | 3 |
| 7 x 7 | 6" | 9 | 3 |
| 7 x 7w | 6" | 8 | 3 |
| 6 x 11 | 9" | 9 | 2 |
| 7 x 20 | 18" | 7 | 1 |
| 9 x 20 | 18" | 6 | 1 |