



CMS-T300 VOICESTAR SERIES

CATALOG NO: OPT30025000

PORTABLE CHANGEABLE MESSAGE and
HIGHWAY ADVISORY RADIO COMBINATION UNIT



FEATURES

- Character, Line, or Full Matrix Message Sign Display
- Battery Powered / Solar Recharged
- 2 to 4 Mile Broadcast Range (10-watt transmitter)
- Message Scheduling
- Dynapoint™ Lens Enhanced LEDs
- NTCIP Compliant

OPTIONS

- AIMSTAR™ Adjustable Solar Assembly
- Queue Detection
- Radar w/ Data Logging
- Cellular (CDMA / IxRTT , GSM / GPRS)
- Landline or Ethernet (TCP / IP) Options
- Graphic User Interface (GUI)
- Dual Broadcast Frequencies
- GPS Frequency Stabilization
- NOAA S.A.M.E All-Hazards Radio
- IP Addressable Message Recording
- USB Drive Message Loading
- MP3 Audio Files

American Signal Company's VoiceStar™ is designed to operate 365 days a year, broadcasting 24 hours a day. Powered by a robust array of solar panels and battery backup. VoiceStar can go anywhere, anytime – built to operate in a sustainable way in isolated locations without regular attendance. When optioned, the radio messages and the sign text may be programmed locally or remotely via cell service. VoiceStar's Dynapoint™ lensed-LED Changeable Message Sign allows for many message programming options and is available in Discrete Matrix, Line Matrix or Full Matrix formatting.

GENERAL SPECIFICATIONS

The VoiceStar is a portable Highway Advisory radio, ready to roll. Stations are often integrated into a system of several units to instantly notify the public at highway construction zones, traffic incidents and in health and safety emergencies. Via wireless communication, operators may program broadcast messages and changeable signs remotely. VoiceStar stations are made available through American Signal Company, and partners.



2755 Bankers Industrial Dr. Atlanta, Ga 30360
VOICE: 770.448.6650 FAX: 770.448.8970
info@amsig.com / www.amsig.com

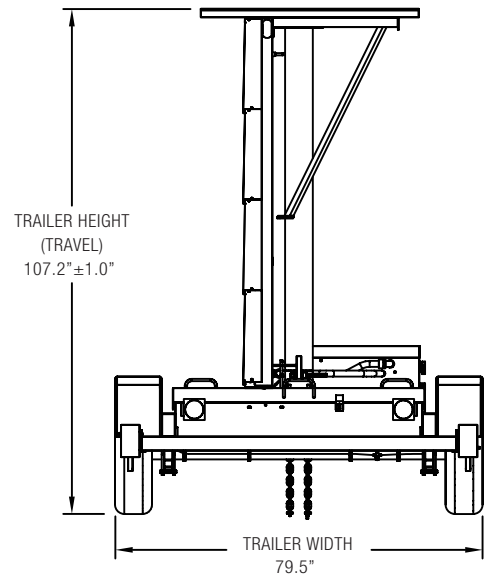
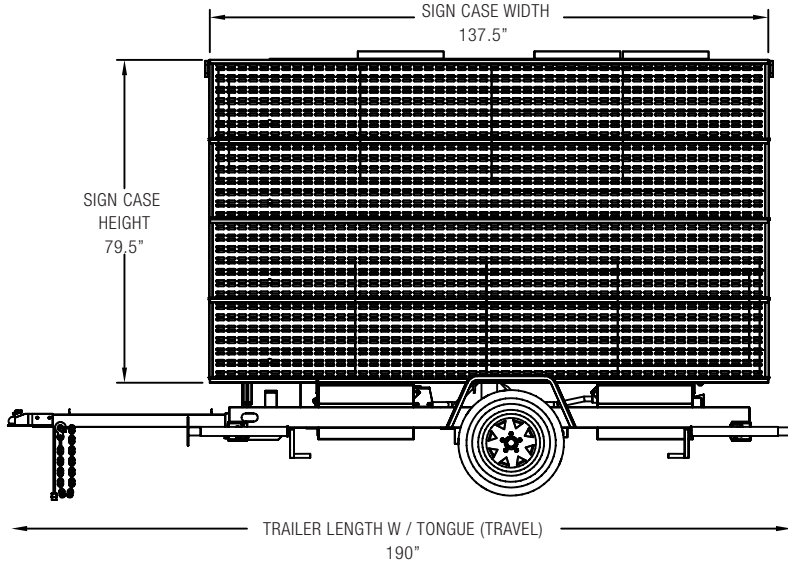
* Specifications/Technology is subject to change.



CMS-T300 VOICESTAR SERIES

CATALOG NO: OPT30025000

PORTABLE CHANGEABLE MESSAGE and HIGHWAY ADVISORY RADIO COMBINATION UNIT



POWER SYSTEM

- 12 VDC (CMS) and 24 VDC (HAR)
- 120 VAC built-in charger
- Solar primary power charging
- Automatic brightness dimming
- Default cutoff to prevent battery drainage
- Energy efficient power manager

CONTROL / OPERATION

- Pre-Programmed Messages | 230
- User-Defined Messages | 200
- Graphical Messages (T333 only)
- Animations (T333 only)
- Daily, Weekly, Yearly event scheduling

PHYSICAL / MECHANICAL

- Height | 107.2"
- Width | 79.5"

HAR

- Class D. high efficiency output
- Compliant with FCC 90.242
- IPC-610 certified
- Synthesized frequency selection
- 530-1700 kHz AM band
- 0-10 watt transmitter output
- Built-In volt isolation
- Anodized aluminum monopole antenna
- Solid state memory w/ internal battery back-up
- 1,000 message storage
- Fifty (50) message playlists
- Three (3) audio inputs / outputs
- Live audio broadcasting

ELECTRICAL / DISPLAY

- LEDs Per Pixel | 4
- Angularity | 30 Degrees
- Update Speed - | .10 sec increments
- variable timing
- LED Color | 590 nm ITE Amber / Yellow

GS-07F-0399L



* Specifications/Technology is subject to change.